



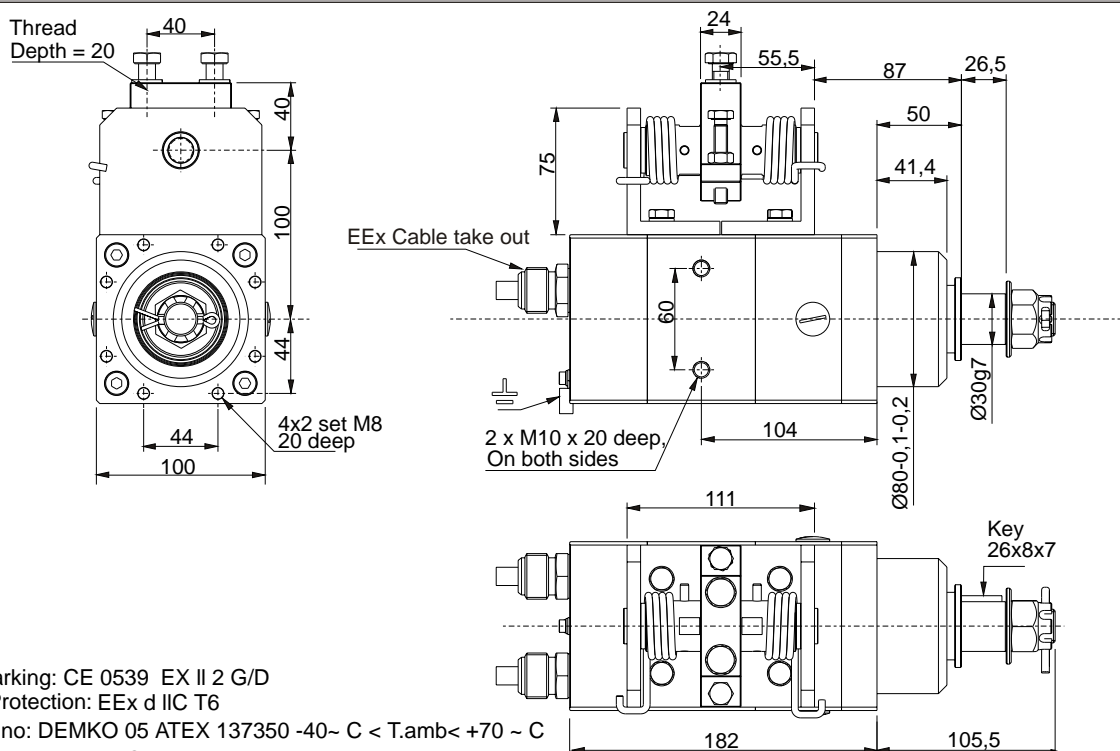
Explosion Proof Absolute Encoders



Construction options:

Seawater-proof Aluminum Housing. Stainless Steel shaft. Back cable takeout.
 Cable takeout: Standard or Cable Protection with hydraulic hose.
 Cable: Standard or Armoured cable
 For other options, view the "Models and Version, Ordering Description"
 for each type: SSI - Profibus - Canopen - Devicenet

Mechanical Dimensions



ATEX Marking: CE 0539 EX II 2 G/D
 Type of Protection: EEx d IIC T6
 Approval no: DEMKO 05 ATEX 137350 -40~ C < T.amb < +70 ~ C
 Manufactured under PQA Notification no.:02 ATEX Q 0133034