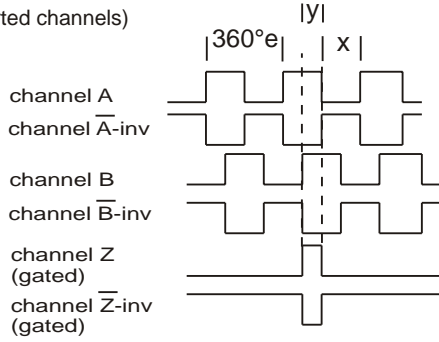


OUTPUT WAVEFORM

Rotation: Clockwise (cw) from shaftside

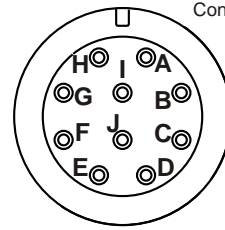
(inv = inverted channels)



$X = 180^\circ e \pm 36^\circ e$ and $Y = 90^\circ e \pm 18^\circ e$
Z puls: Gated with A and B (standard)

Options: TTL or HTL compatible. Open Collector NPN or PNP
Gated Z-puls or none-gated Z-puls.
View more Output options in section 16 - page 1 to 2

CONNECTOR CONNECTIONS



Connector on encoder house
MS3102A-18-1P

Pin Assignment Option 1

Pin	Function
A	A
B	B
C	Z
D	VDC (5-30 VDC Standard)
E	Shield
F	Circuit Ground
G	Case Ground
H	A Compliment (\bar{A} -inverted)
J	B Compliment (\bar{B} -inverted)
K	Z Compliment (\bar{Z} -inverted)

Pin Assignment Option 2

Pin	Function
A	A
B	B
C	Z
D	VDC (5-30 VDC Standard)
E	Not connected
F	Circuit Ground
G	Case Ground
H	A Compliment (\bar{A} -inverted)
I	B Compliment (\bar{B} -inverted)
J	Z Compliment (\bar{Z} -inverted)

ORDERING CODES

	Options	Ordering codes
Pulses pr. rev.:	No. of pulses	XXXXX
Output signal:	Normal, TP-Standard, A, B, Z (3 channel)	N
	TP-Differential: A, B, Z and A-inv, B-inv, Z-inv (6 channel)	D
	Line driver OL 7272 for extra long cable, up to 100 meters (Differential)	M
	Line driver chip 26C31 (V out low < 0,4 V) (RS-422A compatible @ 5V) Only 5 Volt (Differential)	L
Hollow shaft dimensions:	1 inch (ø25,4 mm)	1X
	ø20	20
	Tolerance G7. ø25	25
Blind end. Other dimensions are under construction		
IP-rating:	IP 65	65
		66
		67
Length of cable: (Round cable standard black cover)	Standard 1 meter	01
	No. of meters	XX
Cable take out:	Side (Radial)	S
Anti rotation Spring coupling:	View Section xx page x to x	
Connector: (Coninvers on standard black cover)	Coninvers Connector View Section 15 page 6 to 8	
Connector: (MIL-connector)	MIL- Connector View CONNECTOR CONNECTIONS	
More accessories		
Anti rotation spring and adaptors:	View section 12 page 1 to 8	

CABLE CONNECTIONS

Color code Standard

Pink	Ch. A
Grey*	Ch. A Gnd
Green	Ch. B
Yellow*	Ch. B Gnd
White	Ch. Z
Brown*	Ch. Z Gnd
Red	Vcc
Blue*	Gnd

*Blue, grey, yellow and brown are internal connected

Color code Differential

Pink	Ch. A
Grey	Ch. A inv.
Green	Ch. B
Yellow	Ch. B inv.
White	Ch. Z
Brown	Ch. Z inv.
Red	Vcc
Blue	Gnd

PULSES/REV.

400, 1024, 2048, 3600

Other pulses are under construction

Advanced Output Options:

Options	Ordering codes
Normal Open Collector NPN	NON
Differential Open Collector NPN	DON
Normal Open Collector PNP	NOP
Differential Open collector PNP	DOP

To order, replace with

Output signal Output signal

SCH68F



Pulses



Output signal



H.-Shaft



IP-rating



Length of cable



Cable take out



Pin Assignment



Anti Rotation Spring Coupling and/or accessories Order Number